



Instruction Manual BS EN 1004-2:2021
The ALTO Stairwell-Pro Tower is certified to BS 1139-6:2022

3T - Through The Trapdoor Method



Introduction

Please read these instructions carefully and ensure that you fully understand all of the information contained herein. All of the information in this document is vital for the safe utilisation of your Alto Stairwell-Pro Tower.

These instructions only cover the assembly of this configuration of equipment, which is designed primarily for construction and maintenance tasks in a fixed position in tiered floor situations at platform heights of between 1.5m and 7.5m. All Alto Access products are professional quality engineered equipment designed primarily with safety in mind and meet or exceed all standards, recommendations and guidelines. Used properly, Alto access equipment will keep you safe when working at height.

This manual contains all of the information necessary to correctly assemble your Alto Stairwell-Pro Tower equipment for this application in accordance with BS 1139-6:2022 and incorporates all of the requirements of the PASMA 3T method of assembly as endorsed by the HSE.

This manual should be used in conjunction with your Risk Assessment and Method Statement and in line with the Work at Height Regulations 2005 which place an obligation on employers to eliminate or minimise risks. This manual must be made available to the user/assembler at all pertinent times.

A Risk Assessment and Method Statement must be undertaken before installation commences and should include the relevant stabilisation to be applied to the specific structure being built in line with the guidance contained in this manual.

Only competent and qualified personnel should undertake erection, dismantling or alteration, organisation, planning or supervision of access towers. In the case of any doubt, sufficient relevant additional training must be given beforehand to ensure safe use. For further information on the use of access towers consult PASMA (www.pasma.co.uk; Tel +44 (0) 345 2 30 4041).

For any additional technical information or specific advice please contact the manufacturer Lakeside Industries Limited Tel: +44 1527 500577 or Email: sales@altoaccess.com.

Certifications

The Alto Stairwell-Pro Tower is an access tower certified to BS EN 1139-6:2022 Class 3. This tower is manufactured in our ISO 9001 accredited facility. This manual complies with BS EN 1004-2:2021.

Maximum Safe Working Loads

The safe working load of the tower is 1000 kg including its own weight.

The maximum leg load imposed by the tower on its supporting surface is 250 kg when loaded to its maximum safe working load. The tower is a Class 3 tower.

The maximum safe working load of any individual platform unit within the tower is 150 kg evenly distributed.

The maximum safe uniformly distributed working load which may be placed on the working platform of the tower is 150 kg per bay over all the working platforms in use.

The maximum number of working platforms allowed in this configuration is 1.

The maximum number of operatives permitted on the tower during use is 2.

The maximum number of operatives permitted on the tower during assembly and dismantling is 2.

The maximum number of operatives permitted on any one platform unit is 1.

The maximum number of people on a working platform level permitted to simultaneously exert a horizontal load of 0.3 kN is one.

If higher loadings are required, contact your supplier or the manufacturer - Lakeside Industries Limited, for advice. Tel: +44 1527 500577 or Email: sales@altoaccess.com .

Inspection Care & Maintenance

Alto Access equipment is designed and manufactured to the highest standards in the industry and is stronger, more robust and safer than any comparable competitor product. Properly cared for, it will give a long and productive service life.

The equipment should be inspected and maintained by a competent person as outlined in the "Alto Stairwell-Pro Tower Inspection Procedures". A free downloadable copy is available at : www.altoaccess.com/assets/inspection_md.pdf

- Equipment should always be inspected before and after each use.
- Whilst Alto Access equipment is extremely robust, care should be exercised in loading, transporting and handling components to avoid damage or injury to either the equipment or persons.
- Never use any equipment which is damaged, has parts missing or is improperly assembled.

- Repairs should only be carried out by Lakeside Industries Limited or their authorised repairers.
- In case of any doubt as to the integrity of any items of Alto Access equipment, the part should be withdrawn from use, quarantined and subject to detailed examination to determine whether repair or replacement is required. If returned to the factory, Lakeside Industries Limited will provide a free of charge evaluation of any damaged components.

Safety

This instruction manual shall be available at the location of use of the tower. This access and working tower shall only be used according to this manual without any modification. Access and working towers must only be used in accordance with national regulations.

The permissible configurations of the tower are set out in the tables of components on page 15 below. These set out the permitted heights and the required components.

Check that all of the necessary components and equipment for the particular tower configuration to be built are on site, undamaged and functioning correctly. Damaged or incorrect components shall not be used. Only the original Alto Access Products components specified in this manual shall be used.

Always consider the correct platform height in relation to the required working height and the task to be carried out when selecting and assembling a tower. Before assembling the tower, the location should be checked to identify and eliminate hazards during assembly, alteration and dismantling. In particular:

- Check that the surface on which the tower is to be located is capable of supporting the tower and its payload. Check that the level and slope of the ground do not render the location unsafe for the purposes of assembling, using and dismantling the tower.
- A risk assessment and method statement must be prepared sufficient to ensure the safe assembly, use and dismantling of a stepped tower structure, appropriately stabilised and the elimination or minimisation of all consequent risks.
- The place in which the tower is to be assembled and deployed should be segregated from the rest of the site using appropriate barriers and warning signs. This is to reduce or eliminate the risk of unauthorised persons walking close to or under the tower and of vehicles or plant colliding with the tower.
- Beware obstructions when assembling, altering and dismantling the tower.
- When working outdoors, the weather forecast shall be taken into account before assembly, use and dismantling.
- Beware live electrical installations, cables, moving machinery or other obstructions when erecting, dismantling or using the tower. The tower is a conductive metallic structure.

- The safe working load of the tower is 1000 kg including its own weight. The maximum safe working load of any individual platform is 150 kg evenly distributed.
- This product shall only be used according to the instruction manual.
- User training courses cannot be a substitute for instruction manuals but only complement them.
- If the tower is to be used in an application outside the scope of BS EN 1004-1:2020, contact your supplier or the manufacturer, Lakeside Industries Limited, for advice on loadings. Tel: +44 1527 500577 or Email: sales@altoaccess.com.
- Towers must always be climbed from the inside using the built in ladders only. Do not climb the outside of the tower.
- The tower must be levelled to within an inclination of 1% when erected using the adjustable jack legs.
- Two or more persons are required for the safe erection and dismantling of a tower.
- Appropriate PPE and a spirit level are required for the safe erection and dismantling of a tower.
- Always comply with the Work at Height Regulations 2005 when erecting, dismantling & using the tower.
- When lifting components, always use reliable lifting equipment and fastening methods and always lift from within the footprint of the tower structure to prevent risk of the tower overturning.
- Users must be aware of the effects of horizontal and vertical loads on the structure when using the tower which may impair the stability of the tower. Examples would be loads resulting from work on an adjacent structure or wind loads which may be increased by tunnelling effects around adjacent buildings.
- This is a static tower. These instructions only cover the assembly of this specific structure on base jacks. If a mobile tower structure is required, contact the manufacturer Lakeside Industries Limited for advice Tel: +44 1527 500577 or Email: sales@altoaccess.com. This tower is not to be moved when built.
- BS 1139-6:2022 tower applications may only be used with 3T Alto towers. BS 1139-6:2022 tower applications may not be created using Advance Guard Rail (AGR) towers.
- The maximum permitted horizontal force at the working platform for a freestanding Alto Stairwell-Pro tower is 30kg.
- Do not use boxes, ladders or other items to gain additional height.
- Do not stand on guard rails for any reason.
- If the tower is to be used in connection with hoisting arrangements, this is outside the scope of BS EN 1004-1:2020 and requires specific advice from the manufacturer to ensure safety. Contact the manufacturer Lakeside Industries Limited for advice on loadings Tel: +44 1527 500577 or Email: sales@altoaccess.com.

- Access towers designed in accordance with this standard are not anchor points for personal fall arrest equipment.
- Fit guard rails to all platforms and ensure all wind latches are engaged at both ends of all platforms.
- Stabilisers shall always be fitted when specified.
- Staircases are often confined spaces which restrict the positioning of traditional stabilisers at the base of the tower. If an optimum position cannot be achieved, additional stabilisation should be used. This might include using stub stabilisers to brace off walls higher up the tower or tying into suitable adjacent walls.
- Working is only permitted on a platform with complete side protection including guardrails and toeboards.
- The distance between platforms shall not exceed 2.25m.
- This tower is not to be sheeted. Sheeting massively increases wind loads on the structure.
- When a prefabricated scaffold tower is used as a means of access to another place it shall:
 - » Be built on base plates
 - » Be tied in to the adjacent structure with ties of sufficient number and capacity to cope with a horizontal load of 10% of the maximum UDL of the working platform i.e. 2 kN.
 - » Be positioned so that any horizontal gap between the platform of the prefabricated scaffold tower and the place being accessed is no greater than 25 mm; and
 - » Be positioned so that the upper surface of the platform and surface which is being accessed are vertically aligned within a tolerance of ± 25 mm.
 - » Means of protection shall be removed only for the time and to the extent necessary to gain access or egress or for the performance of a particular task and shall be replaced as soon as practicable.
 - » Attention is drawn to the Work at Height Regulations 2005 Schedule 1, Schedule 2 Regulation 5 and Schedule 3 Part 1 Regulation 5.
 - » Provision shall be made to prevent falls – not only from the prefabricated tower scaffold, but also from the adjacent structure.
 - » The safety of persons once they have transferred to the adjacent place shall be taken into account as this now becomes a place of work at height.
 - » The strength of the adjacent place shall be assessed to verify that it is safe to step on to (e.g. not a fragile surface) and is a suitable and a safe place for work with adequate collective protection or other fall prevention measures.

» A prefabricated tower scaffold shall not be used as an anchor point for personal fall protection or work positioning equipment. They are not designed for this purpose even when tied to a supporting structure.

» A prefabricated tower scaffold shall not be used as a means or element of edge protection. They are not designed or suitable for this purpose even when tied to a supporting structure. Edge protection shall be designed and installed in accordance with BS EN 13374.

- In the event that an alteration to the prefabricated tower scaffold design is required, approval from the supplier and/or designer shall be obtained and a revised instruction manual or assembly, user and dismantling plan created.
- Every erected tower must be inspected by a competent person at least every seven days and any tower which has been left unattended should be inspected before use to ensure that:
 1. No components have been removed or relocated incorrectly;
 2. The castors are locked by the brakes
 3. The tower is still vertical; and
 4. No environmental or other factors have arisen which will influence safe use of the tower.

Alto Access Products recommends the use of the PASMA TowerSure inspection system. For more information, please visit: pasma.co.uk/towersure.

Unattended Towers

To prevent use by unauthorised persons of complete or incomplete towers when unattended, steps should be taken to prevent unauthorised access. Appropriate steps may include some or all of the following:

- Use of scaffold alarms.
- Suitable physical means such as barriers or site fencing to prevent access to the area immediately around the tower.
- Warning signs identifying the areas where access is not permitted should be displayed at the access points to area occupied by the tower.
- Attaching a well designed and correctly fitted ladder guard to the lowest levels of the tower.
- Appropriate site security.
- Unattended towers should be tied in to a rigid structure.
- Towers which have been left unattended should be inspected before use as outlined above.

Wind Speeds

Persons using or responsible for towers must beware of the effect of wind on the structure. Wherever possible, as a precaution, it is advisable to tie the tower in to a rigid structure if it is to be used where it is exposed to potential windy conditions. Users should beware the potential tunnelling effect of open ended or unclad buildings and narrow openings between buildings. We recommend that the use of the tower is discontinued in conditions where the wind speed is above 17mph (force 4).

WIND DESCRIPTION	BEAUFORT SCALE	AVERAGE SPEED	INFORMATION
Medium Breeze	4	13-17 mph	Safe to work on tower.
Strong Breeze	6	25-31 mph	Tie the tower to a solid structure. Do not work on tower.
Gale Force	8	39-46 mph	Towers must be dismantled. Towers must not be assembled.

Erecting & Dismantling the Tower

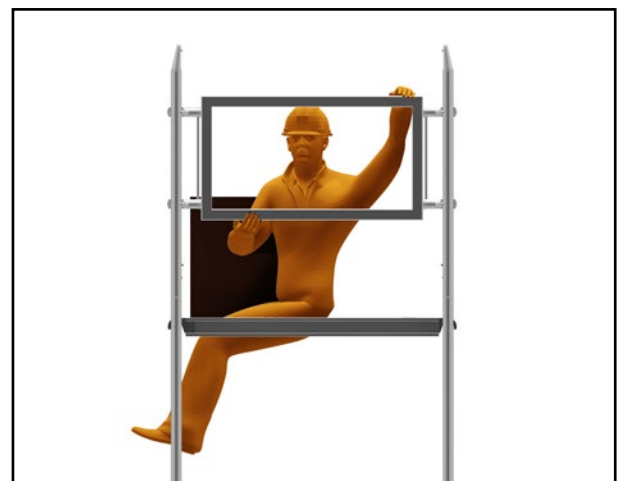
All BS 1139-6:2022 tower structures in this configuration using Alto equipment must be built and dismantled in accordance with the step by step instructions set out below and having regard to the working at height regulations and Health & Safety legislation.

3T Method Explained

The “3T” or “through the trapdoor” method is one of the two permitted ways of assembling a tower without the assembler being at risk of falling. This tower is a 3T tower.

As each new level of platform is installed, the operative takes up a working position in the trap door of the platform, standing on the ladder and leaning back against the edge of the trapdoor aperture.

From this position clip on the 2 brace panels in the appropriate positions. Once both are fully installed the platform is now safe to stand on. This process ensures operatives can fully assemble the tower without standing on unguarded platforms.



Brace Panels

The Alto Stairwell-Pro Tower platforms are guardrailed using prefabricated side panels. These must always be fitted with the claws facing outwards.

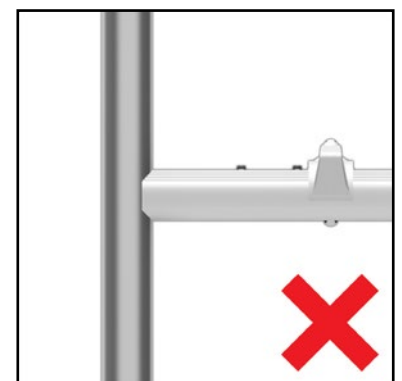
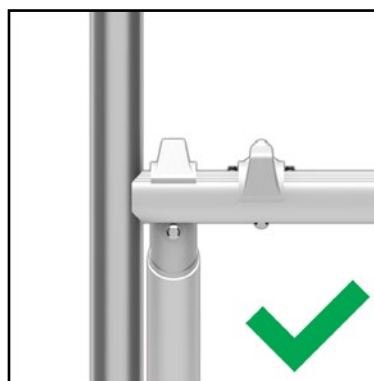
All brace panels are fitted with spring loaded pins that automatically lock the panel into position when attached to a tower. Hooks are linked at each end of the panel to allow both hooks to be fitted or released simultaneously.

Brace hooks are spaced so that they facilitate correct positioning of the panels and are retained in place by the end frame rungs to prevent vertical movement.

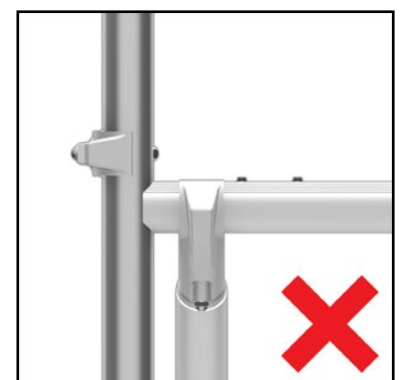
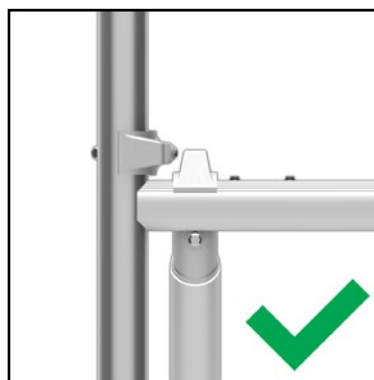


Braces

All braces are fitted with spring loaded pins that automatically lock the brace into position when attached to a tower. Brace hooks **must** be located either over the rung screw heads, between 2 screw heads or between the frame upright and a screw head to prevent lateral movement.



Diagonal braces **must** always be located with the claw opening facing down. Horizontal braces must be located with the claw facing either down (on the rung) or outwards (if on the upright).



Frames

Frames **must** always be assembled with the offset conical head fitting pointing inwards towards the centre of the tower.

When frames are connected together, ensure that the locking bolts at the bottom of the upper frame are engaged.



Stabilisation

Typically, access towers are most commonly stabilised by means of stabilisers or outriggers attached to the base of the tower in such a way as to increase the effective footprint of the tower. In stairwell applications, it is often not possible to deploy conventional stabilisers due to the confined working space. The Alto Stairwell-Pro tower is designed to allow stabilisation in alternative ways on the presumption that conventional stabilisers cannot be used.

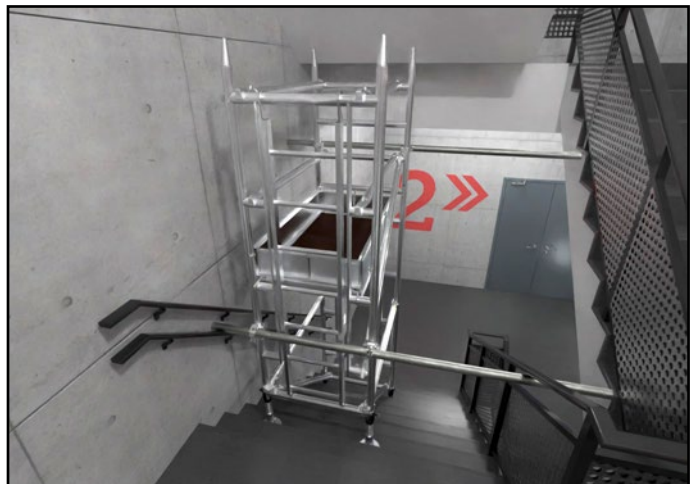
In the majority of stairwell deployments, the locations have wall surfaces at elevated levels on either side of the tower. These in themselves give a measure of protection against overturning and also allow the use of extending stub stabilisers.

When used in such a confined space, where the standard stabilisers cannot be spread sufficiently widely, the Alto Stairwell-Pro tower is designed to provide additional stabilisation using extendable stub stabilisers which project out and press against adjacent walls of the stairwell to maximise stability and safety.

When the tower is used on a staircase that is too narrow to allow correct spreading of the stabilisers but which does not provide suitable adjacent surfaces to allow use of stub stabilisers – such as an external staircase, for example, a fire escape on the side of a building, then alternative stabilisation measures must be taken to ensure safe use of the tower.

Additional stabilisation can be achieved using a number of other methods, including the following:

- Tying the tower into a suitable adjacent supporting structure.
- Brace off opposite walls on either side or either end of the tower using scaffold tube and couplers as shown.



- Creating “oversize” stabilisers or raker beams using scaffold tube and couplers projecting down to the floor below.

If additional stabilisation measures have been deemed necessary, install them at the earliest practicable opportunity. For further details and advice, please contact your supplier or the manufacturer, Lakeside Industries Limited Tel: +44 1527 500577 or Email: sales@altoaccess.com

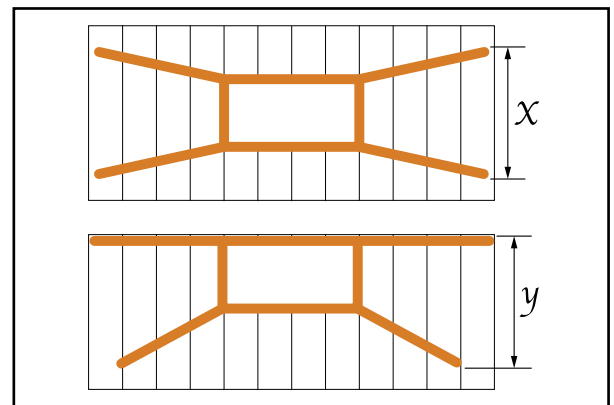
STANDARD STABILISERS:

If conventional stabilisers are used, they should always be attached to the tower so as to maximise the base area of the tower structure. The correct size stabilisers must always be used – see component schedule for details.

Stabilisers are attached to the tower using half couplers. Ensure that the couplers are fully tightened to give a reliable grip on the tower frame. Ensure that the stabilisers press firmly against the ground.

When building the tower in the middle of a stair, set the stabilisers so the *x* dimension shown in the image meets the relevant dimension stated in the table below.

If the tower is being used against a wall, arrange the two stabilisers nearest the wall to run parallel to the wall and set the other two stabilisers so that the *y* dimension shown in the image meets the relevant dimension stated in the table below.



	PLATFORM WORKING HEIGHT (m)									
	INTERNAL USE ONLY									
	1.5m	2.0m	2.5m	3.5m	4.0m	4.5m	5.5m	6.0m	6.5m	7.5m
<i>x</i> min.	1.18m	1.47m	1.68m	1.91m	2.13m	2.27m	2.40m	2.56m	2.60m	2.67m
<i>y</i> min.	0.94m	1.09m	1.19m	1.31m	1.42m	1.49m	1.55m	1.63m	1.65m	1.68m

For further details and advice, please contact your supplier or the manufacturer, Lakeside Industries Limited Tel: +44 1527 500577 or Email: sales@altoaccess.com

STUB STABILISERS:

When used in an enclosed stairwell, the Alto Stairwell-Pro tower is designed to permit stabilisation using extendable stabilisers which project out and press against adjacent walls of the stairwell to maximise stability and safety.

The positioning of the stub stabilisers on the tower will depend, to some extent, on the availability of the adjacent surfaces to bear upon.

Stub stabilisers should be positioned horizontally on both ends of the tower, in the most convenient place to bear effectively on the adjacent walls. There are 2 couplers on each stabiliser that connect to the framework uprights.

Once the stub stabiliser is fixed in place, the 2 arms on each stabiliser should be extended such that the rubber end caps press as firmly as possible against the wall of the stairwell. Now, tighten the half coupler around the arm to stop retraction using an appropriate spanner. The tower is now held firmly in position. This process should be repeated at every other platform level thereafter.



Stabilisers should only be removed during dismantling at the point that they are at the topmost frames of the tower. On no account should the stabilisers be removed whilst the tower is in use. For any additional technical information or specific advice please contact the manufacturer Lakeside Industries Limited Tel: +44 1527 500577 or Email: sales@altoaccess.com.

Tying In

If the tower is to be tied in, the following information is relevant:

- This prefabricated tower scaffold has been designed to be properly secured to a suitable adjacent supporting structure capable of withstanding the forces that will be imposed upon it by the attachment of the tower. Devices for securing the tower must be simultaneously rigid in both tension and compression and capable of withstanding and transmitting the loads imposed by the tower to the supporting structure.
- When used, select and install anchors in concrete and masonry must be selected and installed in accordance with BS 8539.
- Scaffold couplers and tubes used for tying in must comply with BS EN 74-1:2005 and BS EN 12811-2:2004 respectively.
- For more information on stabilisation by tying in, see separate guidance documentation issued by the manufacturer.

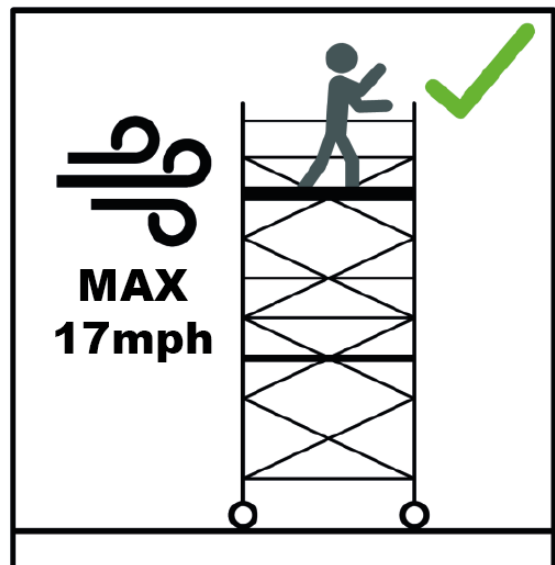
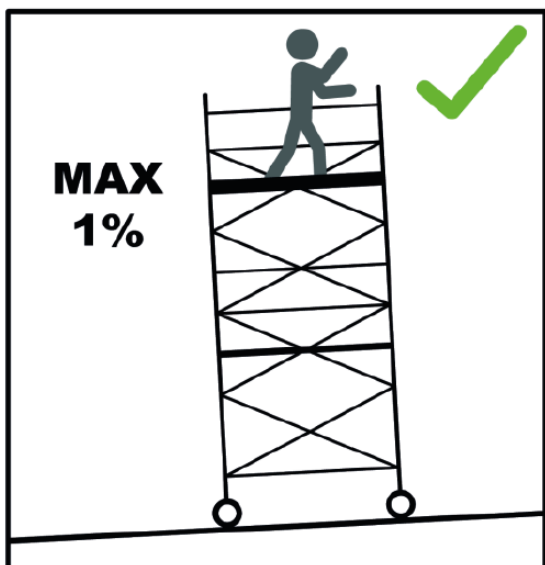
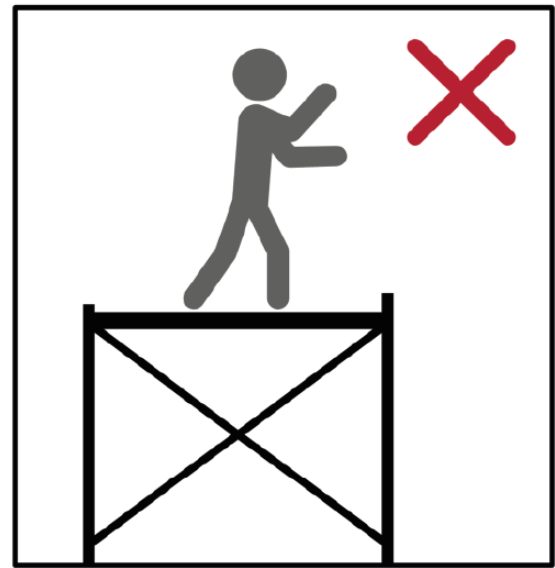
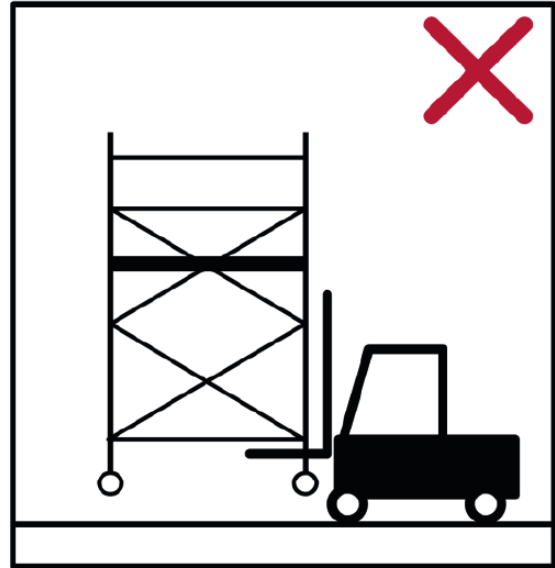
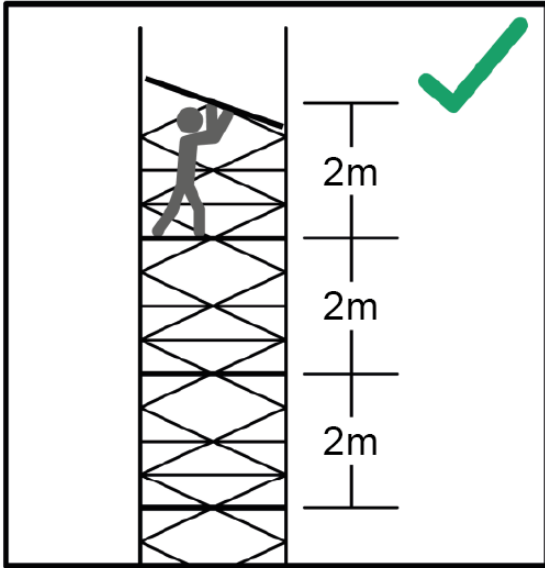
If the Alto Stairwell-Pro tower is securely braced off adjacent rigid walls using the extendable stub stabilisers as set out in this manual, this is analogous to tying in. For further details regarding tying in, please contact your supplier or the manufacturer Lakeside Industries Limited.

Signage

After assembly or alteration, the following minimum information shall be displayed on the tower and be clearly visible from the ground (e.g. on a tag):

- The name and contact details of the responsible person.
- If the tower is ready for application or not.
- The load class and the uniformly distributed load.
- If the prefabricated tower scaffold is intended for indoors use only.
- The date of assembly.
- The maximum number of simultaneous working platforms permitted.
- The maximum number of persons permitted on the working platform(s) during use.
- The maximum number of persons permitted on the tower during assembly and dismantling.
- The maximum number of persons permitted on any one platform.
- The maximum number of persons permitted on the cantilever platform.
- The maximum safe working load on working platforms.
- The maximum safe working load on the prefabricated tower scaffold.
- The load class of the prefabricated tower scaffold.
- The maximum horizontal force permitted at the working platform(s).
- The maximum wind limits for working on the prefabricated tower scaffold.
- The maximum wind limits for the prefabricated tower scaffold.

Safety Pictograms



COMPONENT SCHEDULE

1.2m Long ALTO Stairwell-Pro Tower

ALTO STAIRWELL-PRO TOWER Using the 3T (Through The Trapdoor) assembly method

PLATFORM WORKING HEIGHT (m)												
INTERNAL USE ONLY												
CODE	PART DESCRIPTION	Unit Wt (kg)	1.5m	2.0m	2.5m	3.5m	4.0m	4.5m	5.5m	6.0m	6.5m	7.5m
3045	MD Adj. Swivel Base Jack (black collar)	2.1	4	4	4	4	4	4	4	4	4	4
3212	Stairwell-Pro Walkthrough Frame	6.6	2	2	2	2	2	2	2	2	2	2
3213	Stairwell-Pro Clip in Ladder	4.0	1	1	1	1	1	1	1	1	1	1
3214	Stairwell-Pro 2 Rung Frame	2.7	1	1	1	1	1	1	1	1	1	1
3215	Stairwell-Pro 6 Rung Frame	6.3	1	1	1	1	1	1	1	1	1	1
3202	Mini Tower 4 Rung Frame	4.5		1		2	5	4	6	9	8	10
3510	MD 1.2m Horizontal Brace (Red)	1.6	6	6	2	6	6	2	6	6	2	6
3512	Stairwell 1.2m Diagonal Brace (Silver)	1.9	3	3	3	4	4	4	5	5	5	6
3203	Mini Tower Brace Panel	4.7			2	2	2	4	4	4	6	6
3204	Mini Tower 1.2m Platform	11.1	1	1	1	2	2	2	3	3	3	4
3205	Mini Tower 1.2m Toeboard	6.0	1	1	1	1	1	1	1	1	1	1
3207	Mini Tower Stabiliser	3.6	4	4	4	4	4	4				
3023	MD Small Stabiliser	4.7							4	4	4	4
3216	Stairwell-Pro Stub Stabiliser	5.1	2	2	2	2	2	2	4	4	4	4

TOTAL SELF WEIGHT OF TOWER INC. STD STABS (kg)	85	87	94	122	127	135	177	182	189	218
ASSEMBLY METHOD	A	B	C	A	B	C	A	B	C	A

ASSEMBLY INSTRUCTIONS - All Platform Working Heights

Step 1

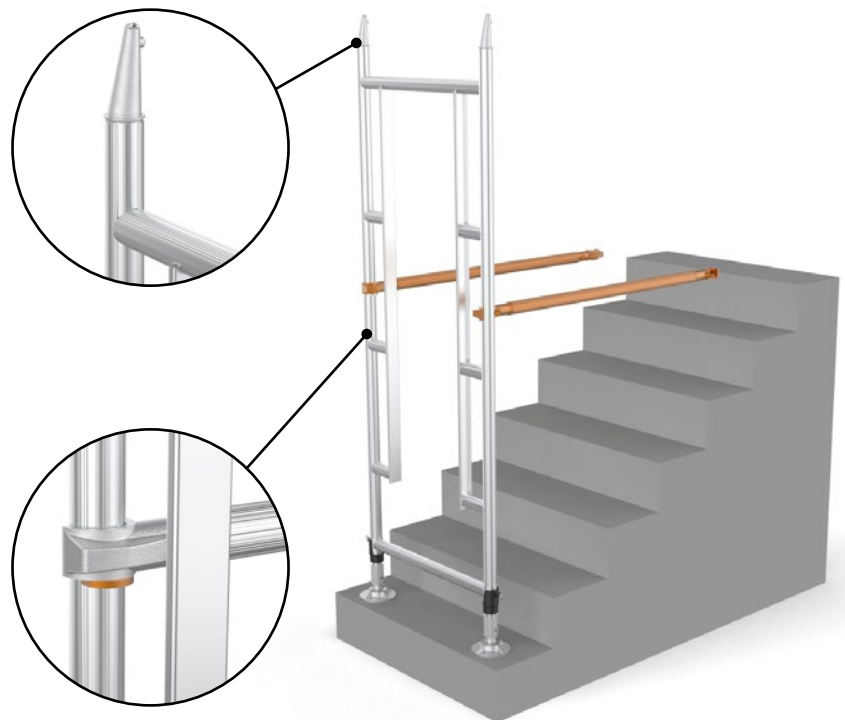
Fit the base jacks into the legs of the walkthrough base frames. Ensure the spring-loaded pin engages into the hole in the side of the frame.

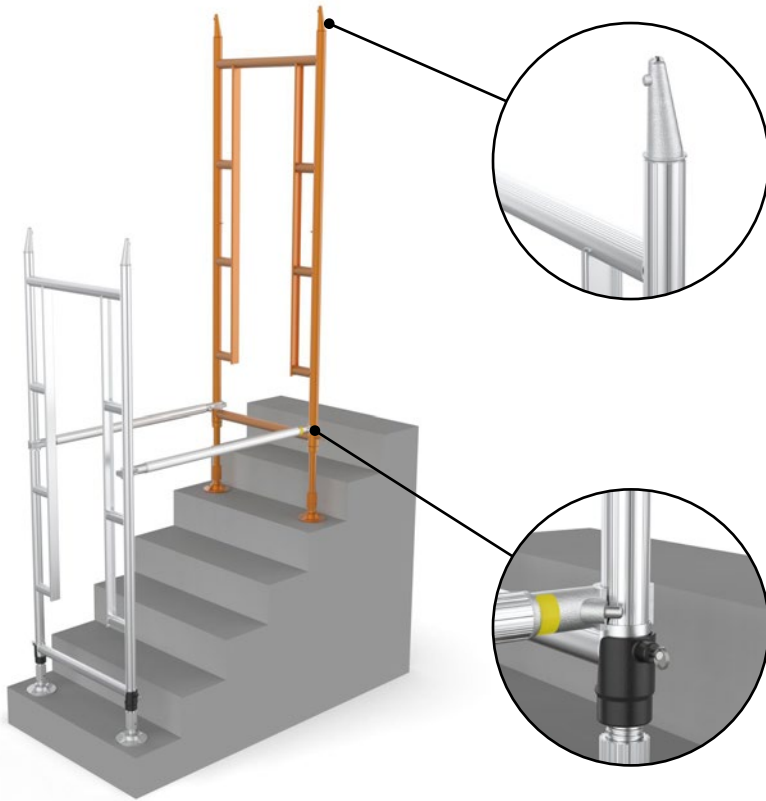


Step 2

Position a frame on the lower area of the stairs, making sure that the frame head fittings point toward the middle of the tower.

Fit 2 horizontal braces to the vertical tubes of the frame. The braces are to be fitted from inside the framework - ensuring the bottom of the hook rests on the shelf - as shown.

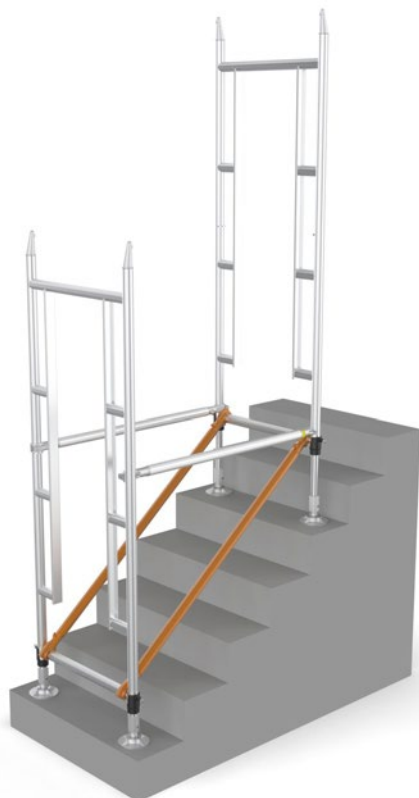




Step 3

Position the second frame on the upper area of the stairs, making sure that the frame head fittings always points toward the middle of the tower. Connect the 2 horizontal braces to the frame uprights in the area just above the bottom horizontal bar.

Adjust the heights of the frames until these braces run horizontal. Make sure both frames have the head fittings pointing inwards.



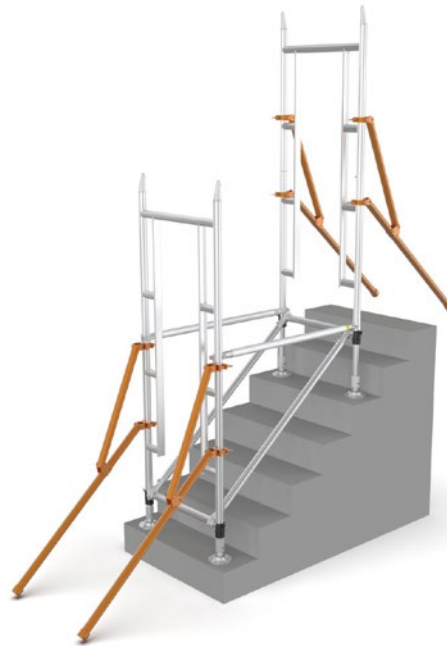
Step 4

Now install 2 diagonal braces on the lowest possible position on the walkthrough frames. Once attached, check the levels again.

If using conventional stabilisers – go to step 5. If using stub stabilisers, continue the steps until prompted to install them.

Step 5

Connect 4 stabilisers to the corners of the tower so as to maximise the area of the tower footprint within the available space. Once the stabiliser is positioned correctly, tighten the 2 couplers, ensuring the foot of the stabiliser is firmly on the floor.



Step 6

Fit the clip in ladder to the upper walkthrough frame as shown. Engage the 2 wind latches located on the ladder uprights to ensure unintentional removal of the ladder.



For the working platform heights of 1.5m, 3.5m, 5.5m or 7.5m - follow build method A (page 19).

For the working platform heights of 2m, 4m or 6m - follow build method B (page 23).

For the working platform heights of 2.5m, 4.5m or 6.5m - follow build method C (page 25).

Build Method A 1.5m, 3.5m, 5.5m or 7.5m Towers



Step 7.1

Fit a 2 rung frame onto the top of the lower end walkthrough frame.

Fit a diagonal brace. The upper hook connects to the top rung of the 2 rung frame. The opposite end of the brace connects to the 2nd rung up on the upper walkthrough frame.



Step 7.2

Fit a platform on the 4th rung up of the lower walkthrough frame with the trapdoor positioned at the upper end of the tower. Ensure the wind latches are fully engaged.

Step 7.3

Using the 3T method install 4 horizontal braces as guard rails above the platform. Ensure they are connected to the top rungs and the 3rd rungs down, as shown.

If assembling a 1.5m tower, proceed straight to step 11, otherwise continue to step 7.4.



Step 7.4

On the ground, make two 2m frames by connecting two pairs of 1m frames together. Now install the two assembled 2m frames onto the lower framework.





Step 7.5

Fit a 6 rung frame on the upper end walkthrough frame.



Step 7.6

Fit a diagonal brace on the same side as the brace fitted in step 7.1 running in the same direction.

The top of the brace clips onto the 5th rung down from the top of the framework. The opposite end clips onto the rung with the upper horizontal guard rail on.

Step 7.7

Fit a platform on the fifth rung down from the top of the frames. Ensure the platform is orientated so the trapdoor is at the same end of the tower as the platform below. Ensure the wind latches are fully engaged.



Step 7.8

Using the 3T method, install 2 guardrail brace panels above the platform. Ensure the position of the brace panels are correct. The horizontal bars on the top of the panels should be in-line with the horizontal rungs at the top of the framework.

At this point - if stub stabilisers are being used, install them now. See page 11 for details on fitment and positioning,

If assembling a 3.5m tower, proceed straight to step 11, otherwise continue to step 8.



Build Method B 2.0m, 4.0m or 6.0m Towers



Step 7.1

Fit a 4 rung frame onto the top of the lower end walkthrough frame.



Step 7.2

Fit a diagonal brace. The upper hook connects to the 3rd rung down on the lower end frames. The opposite end of the brace connects to the 2nd rung up on the upper walkthrough frame, as shown.

Step 7.3

Fit a platform on the fifth rung down from the top of the frames. Ensure the platform is orientated so the trapdoor is at the upper end of the tower. Ensure the wind latches are fully engaged.



Step 7.4

Using the 3T method install 4 horizontal braces as guard rails above the platform. Ensure they are connected to the top rungs and the 3rd rungs down, as shown.

At this point - if stub stabilisers are being used, install them now. See page 11 for details on fitment and positioning,

If assembling a 2.0m tower, proceed straight to step 11, otherwise continue to step 8.



Build Method C 2.5m, 4.5m or 6.5m Towers



Step 7.1

Fit a 6 rung frame onto the top of the lower end walkthrough frame.



Step 7.2

Fit a diagonal brace. The upper hook connects to the 5th rung down on the lower end frames. The opposite end of the brace connects to the 2nd rung up on the upper walkthrough frame, as shown.

Step 7.3

Fit a platform on the fifth rung down from the top of the taller frame. Ensure the platform is orientated so the trapdoor is at the upper end of the tower. Ensure the wind latches are fully engaged.



Step 7.4

Using the 3T method install a 2 rung frame on the upper walkthrough frame. Still using the 3T method, install 2 guardrail brace panels above the platform. Ensure the position of the brace panels are correct. The horizontal bars on the top of the panels should be in-line with the horizontal rungs at the top of the framework.

If stub stabilisers are being used, install them now. See page 11 for details on fitment and positioning, If assembling a 2.5m tower, proceed straight to step 11, otherwise continue to step 8.



All Platform Working Heights



Step 8

On the ground, make two 2m frames by connecting two pairs of 1m frames together. Now install the two assembled 2m frames.

Clip on one diagonal brace on the same side of the tower as the one from step 7.1 or step 7.2. The upper hook connects to the 5th rung down. The opposite end of the brace connects to the 4th rung up from the platform.



Step 9

Fit a platform on the 5th rung down from the top of the framework, with the trapdoor at the lower end of the tower. Ensure the wind latches are fully engaged.

Step 10

Using the 3T method install 2 guardrail brace panels above the platform. Ensure the position of the brace panels are correct. The horizontal bars on the top of the panels should be in-line with the horizontal rungs at the top of the framework.

At this point - if stub stabilisers are being used, install them now. See page 11 for details on fitment and positioning,

Repeat steps 8, 9, and 10 until the correct platform height is achieved.



Step 11

Finally, fit the toeboard to the platform.



DISMANTLING INSTRUCTIONS - All Platform Working Heights



Step 1

The dismantling procedure requires a minimum of 2 operatives to complete the task safely.

To start, first remove the aluminium toeboard assembly. If there are stub stabilisers installed at this level, remove them now. Ensure that only this level of stabilisers are removed.



Step 2

Next, using the 3T method remove the 2 guardrail brace panels. To remove guardrail panels, take up the protected position detailed in the 3T method. Whilst standing through the trapdoor as per the 3T method, disconnect the brace panels using the one hand mechanism at each end of the panel.

Step 3

Now, working from the platform below, the upper platform can be removed.



Step 4

The diagonal brace can now be taken off and the frames on the top of the tower can now be removed.

Now repeat dismantling steps 1 to 4 until the tower is dismantled or the new platform height is achieved.



Components



3045 MD Adj. Swivel Base Jack (black collar)



3212 Stairwell-Pro Walkthrough Frame



3213 Stairwell-Pro Clip In Ladder



3202 Mini Tower 4 Rung Frame



3214 Stairwell-Pro 2 Rung Frame



3215 Stairwell-Pro 6 Rung Frame



3204 Mini Tower Trap Platform



3510 MD 1.2m Horizontal Brace (Red)

3512 Stairwell 1.2m Diagonal Brace (Silver)



3203 Mini Tower Brace Panel



3207 Mini Tower Stabiliser



3205 Mini Tower Toeboard



3216 Stairwell-Pro Stub Stabiliser

THE HEIGHT OF SAFETY

For more information regarding our range of access products and services, please get in touch with us:

Lakeside Industries Ltd

Unit 19 Howard Road, Park Farm Industrial Estate
Redditch, Worcestershire. B98 7SE. UK


t: +44(0)1527 500 577

e: sales@altoaccess.com

w: www.altoaccess.com

 @lakesideindust

 @altotowers

 lakeside-industries-ltd



Manufacturing Member

Lakeside Industries Ltd

Unit 19 Howard Road, Park Farm Industrial Estate, Redditch, Worcestershire. B98 7SE
+44(0)1527 500577 | sales@altoaccess.com | www.altoaccess.com

