



Bevan House, Penarth Road, CARDIFF. CF1 7UQ  
Tel : (01222) 712225 Fax : (01222) 707469

ITEM NO: 90-033

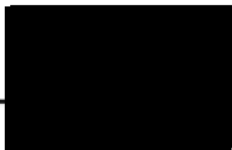
*This is to certify that*  
**[REDACTED]**  
*Erection & Welding*

-----  
*Has been trained in the safe erecti  
dismantling of aluminium scaffold to  
outlined in the PASMA Code of Practice,  
including:*

- \* Suitability of both site & components for use.*
- \* Recommended height to base ratios for both indoor & outdoor use of tower.*
- \* Recommended safe working load of platform & total structure.*
- \* Recommended height of fitting appropriate stabilizers and toeboards.*
- \* That guardrails & toeboards are fitted to working platform.*
- \* That tower is adequately braced during erection to be both vertical & stable.*
- \* That all locking devices function correctly & are in use.*
- \* General inspection of erected tower.*
- \* Safe method of moving tower,*

*& is in receipt of a tower instruction manual, general tower erection notes & a copy of the PASMA Code of Practice.*

Signed




Date

26-4-96




Bevan House, Penarth Road, CARDIFF. CF1 7UQ  
Tel : (01222) 712225 Fax : (01222) 707469

*This is to certify that*  
  
*Erection & Welding*

-----  
*Has been trained in the safe erection and dismantling of aluminium scaffold towers, as outlined in the PASMA Code of Practice, including:*

- \* Suitability of both site & components for use.*
- \* Recommended height to base ratios for both indoor & outdoor use of tower.*
- \* Recommended safe working load of platform & total structure.*
- \* Recommended height of fitting appropriate stabilizers and toeboards.*
- \* That guardrails & toeboards are fitted to working platform.*
- \* That tower is adequately braced during erection to be both vertical & stable.*
- \* That all locking devices function correctly & are in use.*
- \* General inspection of erected tower.*
- \* Safe method of moving tower,*

*& is in receipt of a tower instruction manual, general tower erection notes & a copy of the PASMA Code of Practice.*

*Signed* 

*Date* 26-4-96



# 1X HIRE LTD

Bevan House, Penarth Road, CARDIFF. CF1 7UQ

Tel : (01222) 712225

Fax : (01222) 707469

## PASMA - Training Course

Name: [REDACTED] ..... Date: 19.04.96  
(BLOCK CAPITALS PLEASE)

Company: ERECTION WELDING Branch: .....

Course Run By: [REDACTED]  
(Training Officer)

Q1. Before erecting a tower, what vital document must you have ?

Answer: ERECTION MANUAL .....

Q2. What means of access (ladders or stairways) should be used to the working platform ?

a) Frequent access, bulky goods STAIRWAYS .....

b) Infrequent access, minimum tools LADDERS .....

Q3. Above a certain height from the ground, working platforms must be fitted with guardrails and toe boards. What is the height ?

Answer: 6' 6" 4' X .....

Q4. When should a tower be tied in to a rigid structure ?

Answer: UP AGAINST BUILDING X .....

Q5. When a tower is left in an incomplete state what should you do ?

Answer: SIGNS - CORDONED OFF .....

Q6. At what stage should you fit stabilisers or outriggers ?

Answer: WHEN BOTTOM TIER IS FITTED .....

Q7. What statutory regulations, standards and recommendations apply to Aluminium Towers ?

Answer: a) H-D 1004 BS 1139 STANDARD .....

b) .....

1 X HIRE LTD  
COURSE TEST PAPER

COURSE RUN BY .....DEPOT

NAME .....

COMPANY .....

DATE .....

- 1 The questions marked \* are compulsory and must be answered
- 2 The course organiser is to select 7 from the remaining 22 questions which are also to be answered
- 3 A Certificate is issued to those candidates who answer all the \* questions correctly and obtain an overall pass mark of 75%
- 4 Only one Resit is allowed.

RESIT            YES/NO  
ANSWER QUESTIONS NUMBERED

2:3:4:5:6:11:26:29

THESE MUST BE COMPLETED

ALSO NUMBERS:

--	--	--	--	--	--	--	--

1 Above a certain height from the ground, working platforms must be fitted with toeboards and guardrails. What is this height?

- (a) 3.043m (10'0")
- (b) 1.918m ( 6'6")
- (c) 6.096m (20'0")
- (d) 1.372m ( 4'6")

Tick the correct answer

2\* At what height must you include an intermediate rest platform with guardrails?

- (a) 3.048m (10'0")
- (b) 6.096m (20'0")
- (c) 9.144m (30'0")
- (d) 12.192m (40'0")

Tick the correct answer

3\* What is the maximum platform height-to-least-base ratio that a free standing tower may be moved (in relation to its effective base dimension) when used OUTSIDE with outriggers?

- (a) 2.5 : 1
- (b) 3.0 : 1
- (c) 3.5 : 1
- (d) 4.0 : 1

Tick the correct answer

4\* What is the maximum platform height-to-least-base ratio that a free standing tower may be moved (in relation to its effective base dimensions) when used INSIDE with outriggers?

- (a) 2.5 : 1
- (b) 3.0 : 1
- (c) 3.5 : 1
- (d) 4.0 : 1

Tick the correct answer

5\* What is the maximum platform height-to-least-base ratio that a free standing tower may be moved (in relation to its effective base dimensions) when used INSIDE with stabilisers?

- (a) 2.5 : 1
- (b) 3.0 : 1
- (c) 3.5 : 1
- (d) 4.0 : 1

Tick the correct answer

6\* What is the maximum platform height-to-least-base ratio that a free standing tower may be moved when used OUTSIDE with stabilisers?

- (a) 2.5 : 1
- (b) 3.0 : 1
- (c) 3.5 : 1
- (d) 4.0 : 1

Tick the correct answer

7 Where should you apply effort to move a free standing mobile tower?

ANSWER: .....

8 When is the only occasion when castors may be used in an unlocked condition?

ANSWER: .....



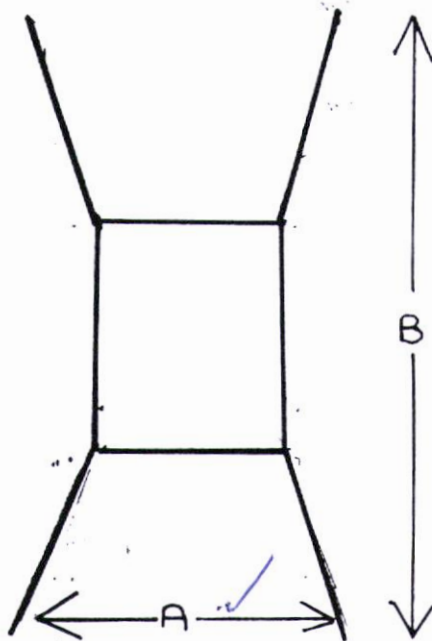
- 9 What component on the tower is effected by the self weight of the tower and the sum of all loadings on the tower?
- (a) The bottom platform board
  - (b) The castor
  - (c) The base frames
  - (d) The working platform board

Tick where appropriate

- 10 When using any type of hatch platform, where should the hinge always be sited?

ANSWER: .....

- 11 Indicate the EFFECTIVE base dimension on the following diagrams.



Tick where appropriate

