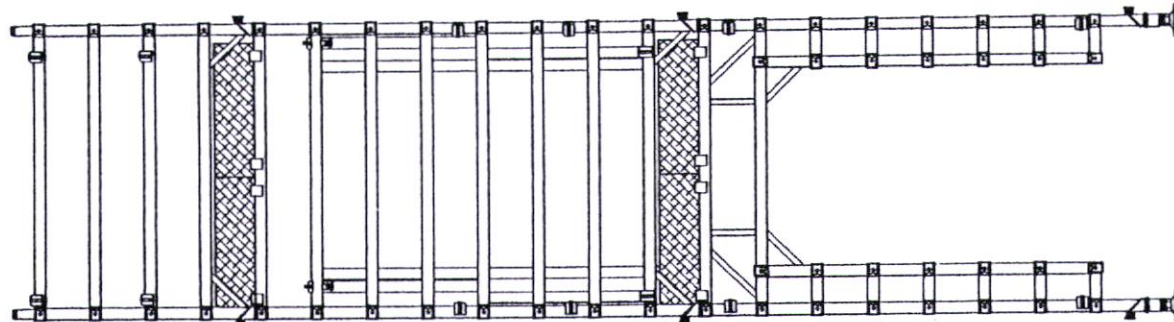
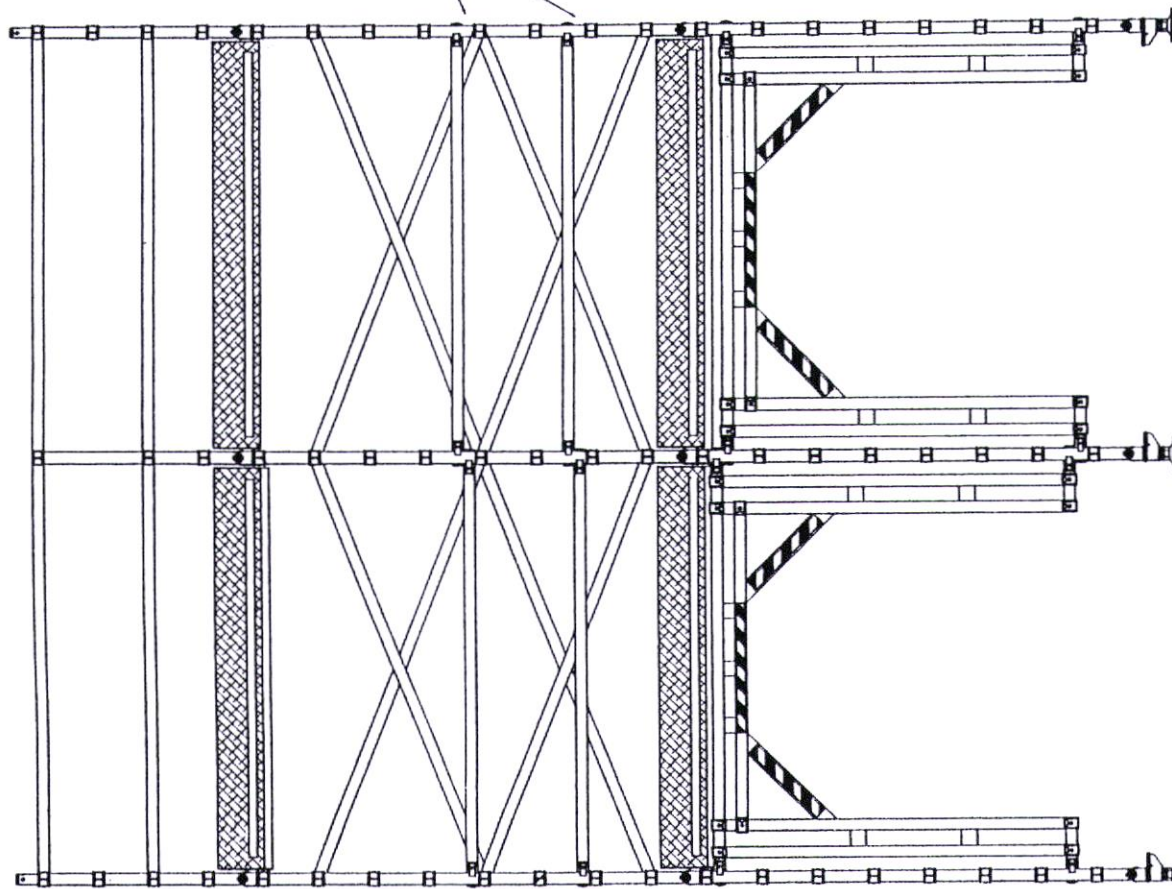


ITEM NO : 2000-012

ADVANCED COURSE 4
BUILD # 1



Use half coupler to support brace hook.



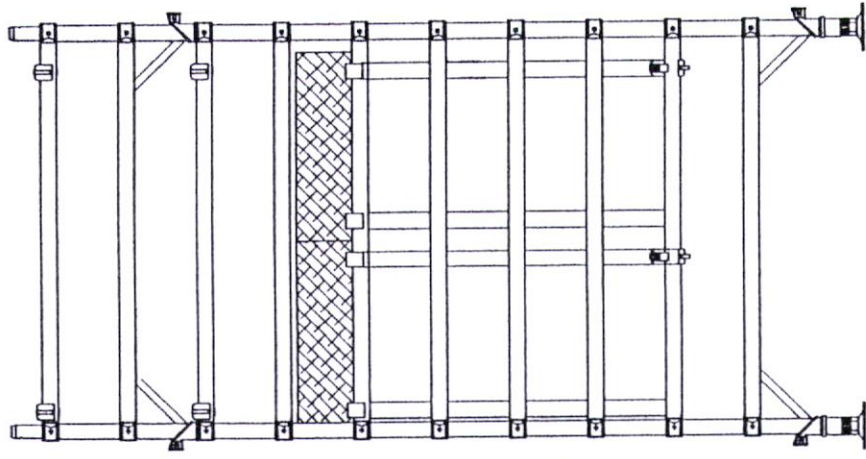
When erected without stabilisers this tower system must be tied to a rigid structure in accordance with the PASMA "Operator's Code Of Practice"

The first tie shall be positioned at a maximum height of 3.25m (halfway up the second 2m lift) and thereafter at least every 4m.

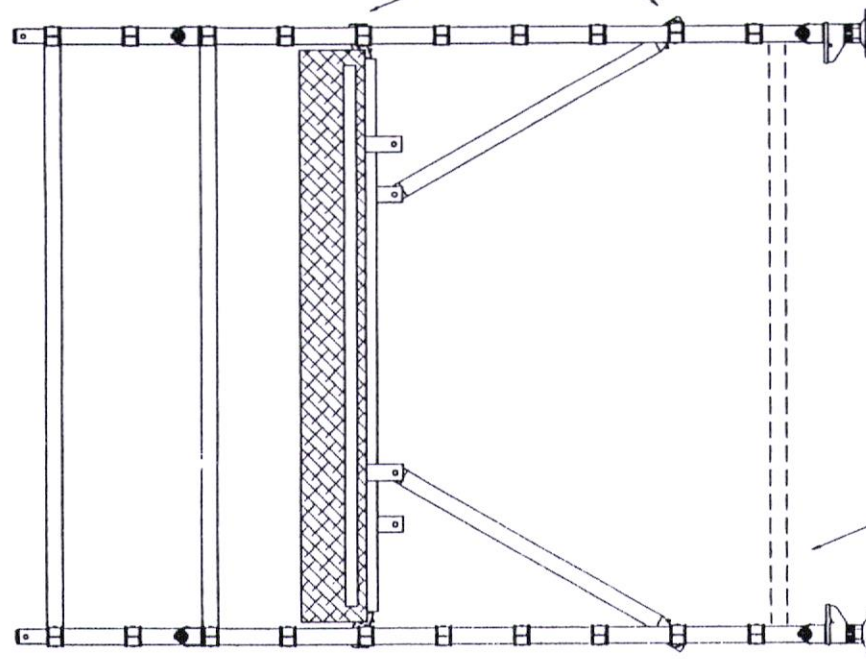
Couplers fitted to the tower must be of the correct size, to suit $\phi 50.8\text{mm}$ $\phi 2"$ tube.

ADVANCED COURSE 4

BUILD # 2



Pass the hook ends of the arms between the rungs prior to locking the main platform hooks onto their rung.



Fit two horizontal braces between the frame verticals to support the tower whilst fitting the platforms.